

Majes + Fire

COLLECTION™ BY DAVINCI CUSTOM FIREPLACES™





Maestro Collection™

By DaVinci Custom Fireplaces™

Feel the Warmth,
Witness the Fyre,
Hear the Music

DaVinci Custom Fireplaces™ are the most unique and innovative fireplaces in the world. The award-winning Maestro Collection™ focuses on the art of fire with focal points highlighting the simplicity of the vertical rectangle and the power of the square. These fireplaces feature the incredible Bon-Fyre™ Burner with or without the realistic, hand-carved Bon-Fyre™ Logs.

We offer this collection as a tribute to the life and work of Leonardo DaVinci, a true maestro.









Vertical Models

- 36" wide vertical format fireplaces
- Two glass heights available: 48" and 58"
- Each model can be ordered as follows
 - Single Sided
 - See-Thru
 - Indoor/Outdoor See-Thru with Outdoor Window Kit



36"x 48"



36"x 48"
Bon-Fyre™ Log Set



36"x 58"



36"x 58"
Bon-Fyre™ Log Set





quare Models

- Two Square models available:
36" x 36" and 48" x 48"
- Each model can be ordered as follows
 - Single Sided
 - See-Thru
 - Indoor/Outdoor See-Thru with
Outdoor Window Kit



36" x 36"



36" x 36"
Bon-Fyre™ Log Set



48" x 48"



48" x 48"
Bon-Fyre™ Log Set





Outdoor Window Kit

The Maestro Collection™ Single Sided and See-Thru models are approved for Indoor/Outdoor and covered outdoor installation. This installation requires the addition of the Exterior Window Kit.



Finish the Exterior Window Kit like a typical window



Finish with Stone



Finish with Stucco



Finish with Wood Siding



TouchSmart™ Wall Control



- Turns Fireplace ON or OFF
- Controls LED Light Color Selection
- Controls LED Light Intensity
- Controls Overhead Lights
- Timer Function



The Vesta® award winning TouchSmart™ Controller is easy to use and elegant in design. It is also adaptable to Home Automation Systems through a Cat 5 Cable and is available in White or Black glass.



SafeTouch™ Glass

Your safety is our number one concern. Innovative engineering keeps our triple-pane, crystal clear glass at extraordinarily low temperatures, reducing any potential for injury. All without the need of screens or safety barriers.

This standard safety feature on every Maestro Fireplace makes them ideal for decorative home applications as well as high traffic commercial installations.



Stainless Steel Overlay

The Stainless Steel Overlay is optional on all Maestro™ models. The overlay is applied over the standard black steel framing to offer a transitional, modern look accented in brushed stainless steel.





Platinum Crushed Glass showing variations of colored LED lights

Black Crushed Glass

Rock Ember

M Multi-Colored Interior LED Lighting

The Maestro Collection's™ Platinum crushed glass floor is under-lit with vibrant colored LED lights that take this fireplace to a whole new level when illuminated. An endless array of vivid colors is at your fingertips, allowing you to set the mood and create the perfect ambiance for any occasion. The burst of color adds a mesmerizing glow around the flames and reflects off the crushed glass floor to create a dramatic presentation of fire unlike anything you've ever seen. Looking for a more subtle organic look? DaVinci Custom Fireplaces™ offers Black Crushed Glass or Rock Ember options.

A Art of Fire

The Maestro Collection™ won the 2017 Art of Fire Vesta® Award for its stunning, one of a kind display of fire that features the optional Bon-Fyre™ Birch Logs.

Available with all Maestro™ models, the Bon-Fyre™ Logs perfectly complement the Vertical and Square styles, adding exciting drama and exquisite beauty. The Bon-Fyre™ Logs are cast from real Birch Logs and are individually hand-painted™ to create a highly detailed, incredibly realistic look that has never before been offered with gas fireplaces.





Maestro Collection™ Features

- Manufactured in Mukilteo, WA by Travis Industries, North America's premier manufacturer of hearth products.
- Award winning TouchSmart™ wall control system, simple to use and elegant in design.
- Standard under-lit multi-colored LED lighting and high temperature overhead accent lights.
- Media Choices: Platinum Crushed Glass, Black Crushed Glass or Rock Embers.
- Maestro fireplaces are the finest engineered fireplaces, featuring heavy gauge steel construction and the highest quality materials available.
- SafeTouch™ glass.
- Zero clearance to combustible surfaces.
- All models are approved for covered outdoor installation.
- See-Thru models can be built into a non-covered exterior wall using our Exterior Window Kit.
- Quiet power vent exhaust system accommodates vent runs up to 150 feet long. The exhaust vent can terminate above, to the sides or below the fireplace.
- Choice of vertical or in-line horizontal power vent fans allows for unlimited venting configurations and installation in virtually any room.
- Non-heater decorative fireplace rated. Safety tested and listed prior to delivery. Listed to ANSI Z21.50b-2014 and CSA 2.22b-2014.
- U. S. and Foreign Patents Pending.



Specifications

BTU Specifications Maestro™ (NG or LP)

36" x 36" SQ	BTU Input 43,500 Per Hour
48" x 48" SQ	BTU Input 70,000 Per Hour
36" x 48" V	BTU Input 70,000 Per Hour
36" x 58" V	BTU Input 70,000 Per Hour

ARCAT

ARCAT.com is the most used FREE building product information website. All of DaVinci's spec information along with DWG, DFX, and BIM drawings are listed on ARCAT and can easily be downloaded. Search under DaVinci Custom Fireplaces or use this QR Code on your phone or tablet.



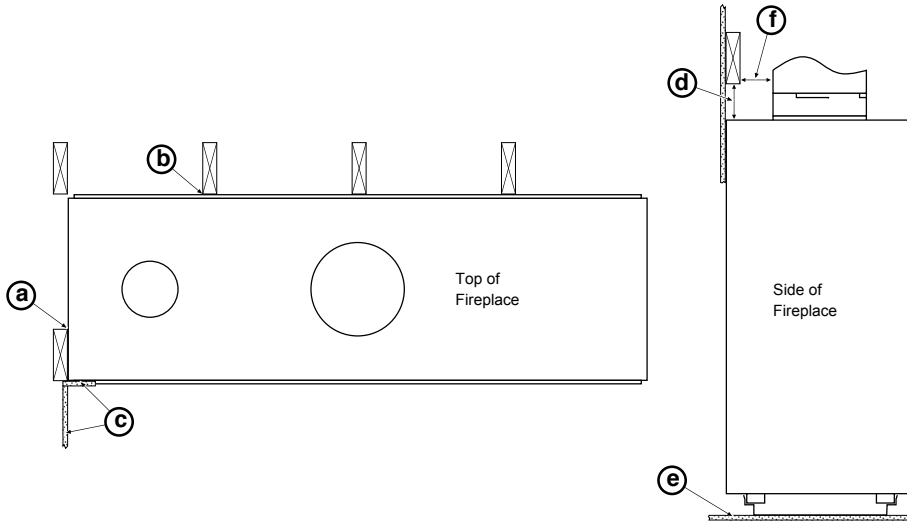


Clearances to Combustibles

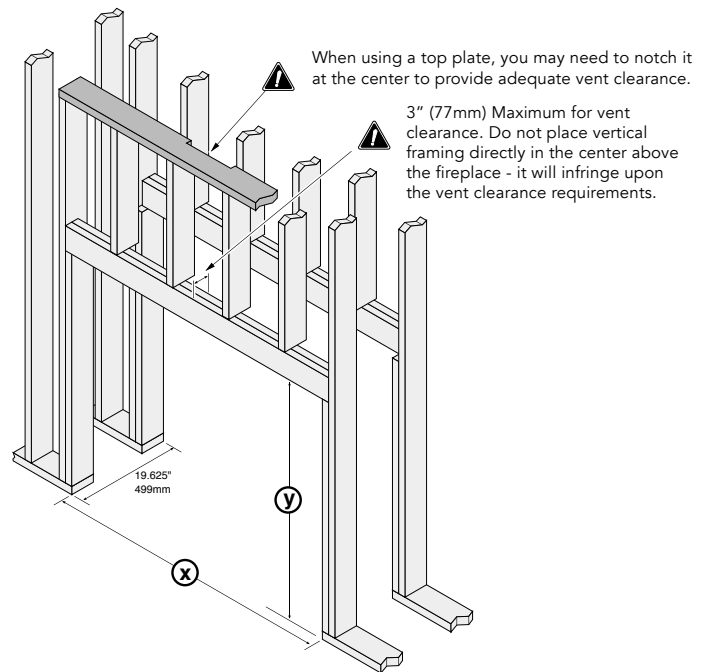
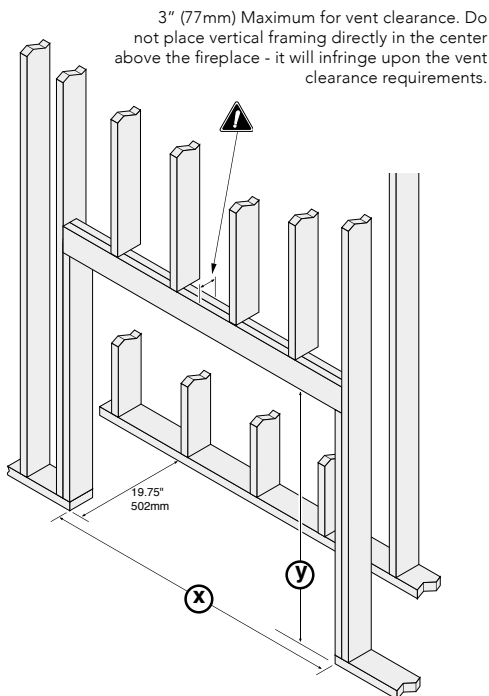
- A. Clearance to Sides of Fireplace 0"
- B. Clearance to Back of Fireplace 0"
- C. Clearance to Front of Fireplace 0"
- D. Clearance to Top of Fireplace 0"
- E. Clearance to Bottom of Fireplace 0"
May be placed directly on subfloor.
- F. Clearance to Vent 1" (25mm)

Note: Do not cover the glass opening with any material.

Note: Side walls may be placed directly to the side of the fireplace.



Framing



SINGLE-SIDED MODELS MINIMUM FRAMING DIMENSIONS				
Version	Width (x)	Height (y) 36" Glass	Height (y) 48" Glass	Height (y) 58" Glass
36" V & SQ	38.5" 987 mm	74-5/8" 1896mm	86-5/8" 2201mm	96-5/8" 2455mm
48" SQ	50.5" 1283mm		86-5/8" 2201mm	

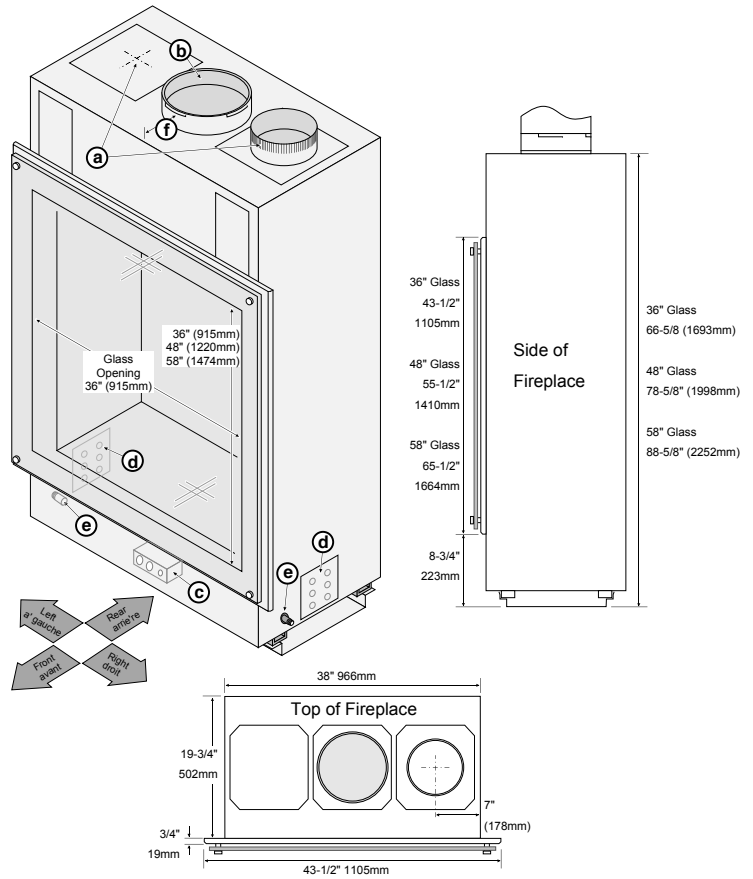
SEE-THRU MODELS MINIMUM FRAMING DIMENSIONS				
Version	Width (x)	Height (y) 36" Glass	Height (y) 48" Glass	Height (y) 58" Glass
36" V & SQ	38.5" 987 mm	74-5/8" 1896mm	86-5/8" 2201mm	96-5/8" 2455mm
48" SQ	50.5" 1283mm		86-5/8" 2201mm	



Installation

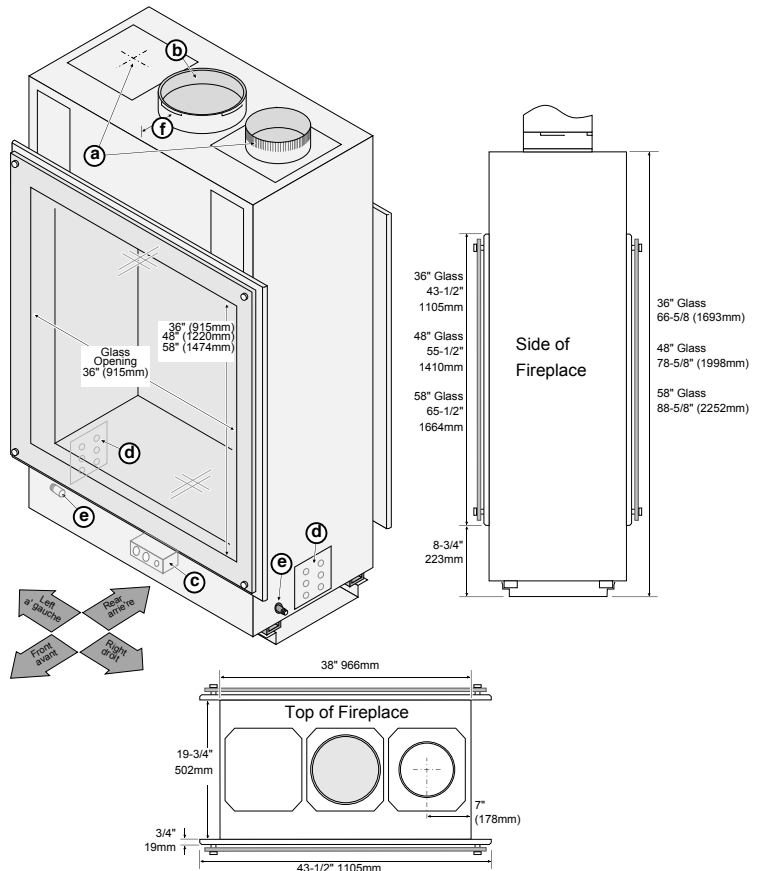
Dimensions - 3' Single-Sided (V & SQ)

- A. Air Intake 8" Diameter, Left or Right
- B. Vent Collar (10" or 8")
- C. Gas Control Valve is located to the front of the fireplace.
- D. Electrical Junction Box. Location determined at time of order, can be relocated, includes low & high voltage connections.
- E. Gas Inlet. Location is determined at time of order, can be relocated.
- F. Vent Collar Distance to Front/Back. Approximately 4-3/8" (112mm) for 10" B-Vent, 5-3/8" (137mm) for 8" B-Vent



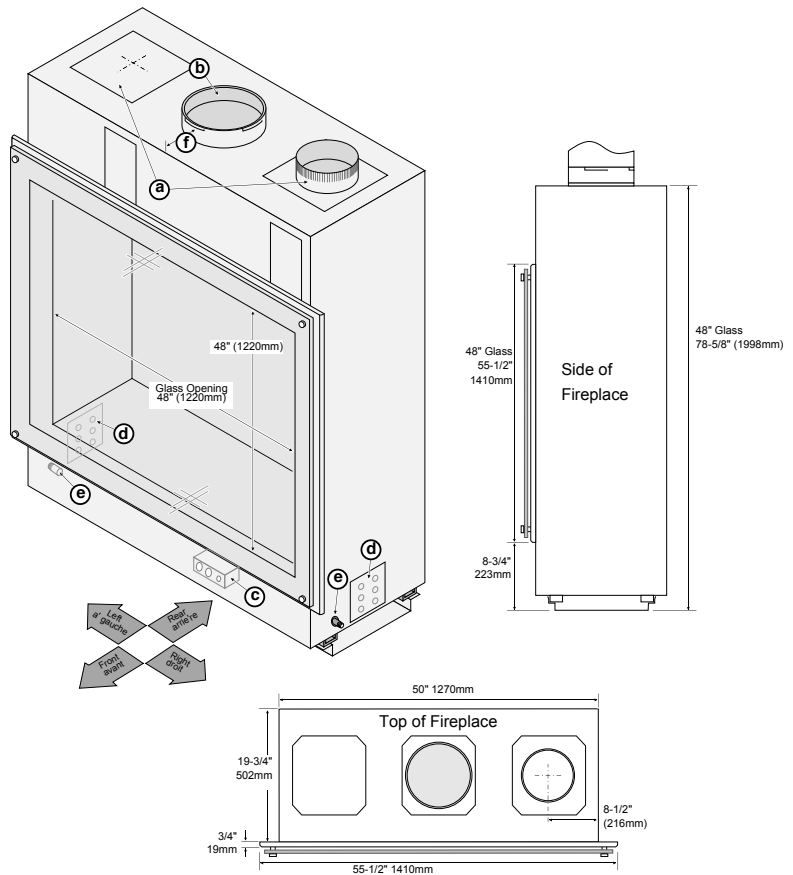
Dimensions - 3' See-Thru (V & SQ)

- A. Air Intake 8" Diameter, Left or Right
- B. Vent Collar (10" or 8")
- C. Gas Control Valve. Located to the front of the fireplace. When using a 2-sided fireplace, the front is determined by the gas control valve (it is to the front).
- D. Electrical Junction Box. Location determined at time of order, can be relocated, includes low & high voltage connections.
- E. Gas Inlet. Location is determined at time of order, can be relocated.
- F. Vent Collar Distance to Front/Back. Approximately 4-3/8" (112mm) for 10" B-Vent, 5-3/8" (137mm) for 8" B-Vent



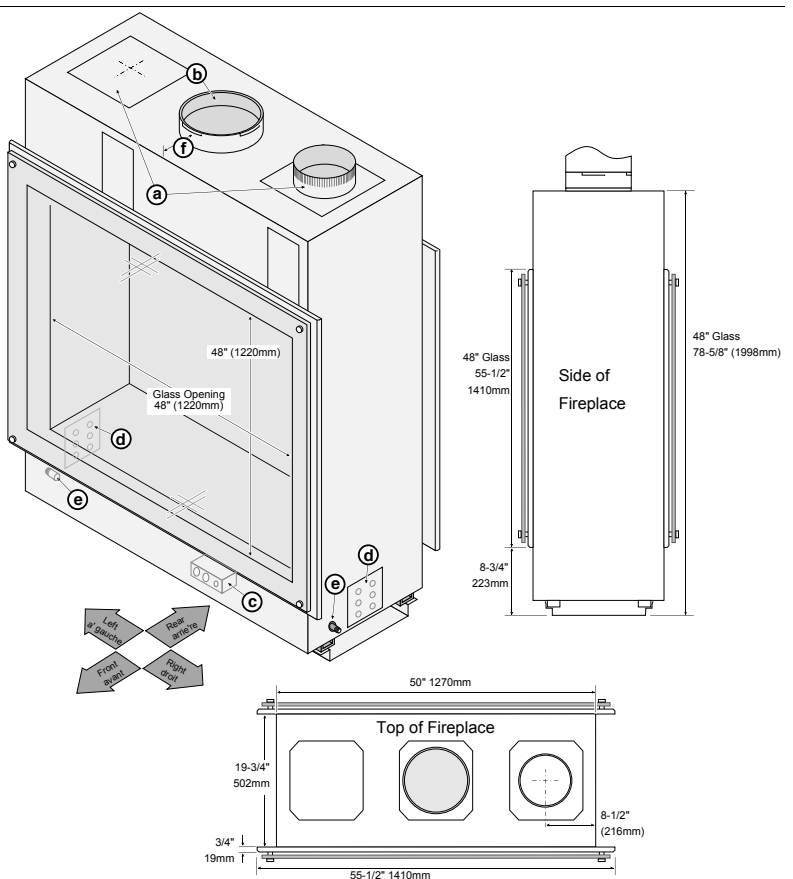
Dimensions - 4' Single-Sided (SQ)

- A. Air Intake 8" Diameter, Left or Right
- B. Vent Collar (10" or 8")
- C. Gas Control Valve is located to the front of the fireplace.
- D. Electrical Junction Box. Location determined at time of order, can be relocated, includes low & high voltage connections.
- E. Gas Inlet. Location is determined at time of order, can be relocated.
- F. Vent Collar Distance to Front/Back. Approximately 4-3/8" (112mm) for 10" B-Vent, 5-3/8" (137mm) for 8" B-Vent



Dimensions - 4' See-Thru (SQ)

- A. Air Intake 8" Diameter, Left or Right
- B. Vent Collar (10" or 8")
- C. Gas Control Valve. Located to the front of the fireplace. When using a 2-sided fireplace the front is determined by the gas control valve (it is to the front).
- D. Electrical Junction Box. Location determined at time of order, can be relocated, includes low & high voltage connections.
- E. Gas Inlet. Location is determined at time of order, can be relocated.
- F. Vent Collar Distance to Front/Back. Approximately 4-3/8" (112mm) for 10" B-Vent, 5-3/8" (137mm) for 8" B-Vent





DaVinci Custom Fireplaces™



Along with the Maestro Collection™, DaVinci Custom Fireplaces™ also offers the most innovative and unique linear fireplaces ever made. This vast collection of linear fireplaces presents a fusion of fire and iconic design – The epitome of the perfect, non-heating custom gas fireplace in all areas of design, innovation, and functionality. With thousands of variations to choose from there are no design limitations.



See our complete line of fireplaces
Visit us online: davincifireplace.com

Manufactured in Mukilteo, WA by Travis Industries, North America's premier hearth company. We reserve the right to change and improve our product at any time without prior notification. Please refer to the Owner's Installation Manual for complete installation requirements. U.S. and foreign patents pending. Photos and illustrations are for descriptive purposes only. Copyright T. I. 01/2018 98800818

