

 DaVinci  
Custom Fireplaces™



Category I, II, III & IV Fireplaces - 3 Ft to 21 Ft

# aVinci Custom Fireplaces™

*The most innovative and unique fireplaces ever made*

DaVinci is a fusion of fire and iconic, contemporary design – The epitome of the perfect decorative, non-heating custom gas fireplace in all areas of design, innovation and functionality. With DaVinci, there are no design limitations.

The breathtaking beauty and style of a DaVinci Custom Fireplace will create a dramatic focal point in any room. A sleek, contemporary profile features an all-glass viewing area that surrounds a ribbon of rich, dancing flames. DaVinci's signature fire presentation draws you in with its striking presence of mesmerizing flames over a bed of Platinum\* reflective crushed glass with adjustable vibrant multi-color LED lighting.

\*Black Glass and Rock Embers also available.



*60 Inch Single-Sided fireplace with 20" tall glass*



# ontents

DaVinci Custom Fireplaces® range in length from 3 to 21 feet, and feature five different glass heights of 12", 20", 30", 36" and 58" inches.

### Tantalizing Features

Special Features of the DaVinci 4-15

### Product Information

Single-Sided Fireplaces	16
Right & Left Corner Fireplaces	17
Bay Window Fireplaces	18
Pier Fireplaces	19
See-Thru Fireplaces	20
Island Fireplaces	21
Construction & Venting	22-23
"L"® Fireplaces By DaVinci	24



Watch a short video on the DaVinci Custom Fireplaces from the International Builders Show



# Zero Clearance To Combustible Surfaces

The fireplace's exterior remains cool to the touch from the outside air that is ducted to the fireplace. This eliminates the use of expensive non-combustible building materials and gives you the freedom to finish right up to the edge of the glass with any building materials you desire.



## Sheetrock

Bring the clean finish edge of sheetrock up to the glass or use our custom black painted metal trim along the top edge.



## Wood

Any wood finish of your choice can be installed right to the edge of the glass.



## Tile or Stone

Use Hardy Board siding or attach stone or tile directly to the fireplace. Stone or tile can go right to the edge of the glass.



## Install Your TV Right Up To The Fire

With all DaVinci Custom Fireplaces™ you have the ability to install a TV anywhere right up to the edge of the glass, without any restrictions or mantel requirements.



## Safe Touch Glass™

Your safety is our number one concern. Innovative engineering keeps our double-pane, crystal clear glass at extraordinarily low temperatures, reducing any potential for injury.

This standard safety feature on every DaVinci Custom Fireplace makes them ideal for decorative home applications and high traffic commercial installations.





Platinum Crushed Glass showing variations of colored LED lights

NEW  
Black Crushed Glass  
Option

NEW  
Rock Ember  
Option

## Multi-Colored Interior LED Lighting

DaVinci's Platinum crushed glass floor is under-lit with vibrant colored LED lights that take this fireplace to a whole new level when illuminated. An endless array of vivid colors is at your fingertips, allowing you to set the mood and create the perfect ambiance for any occasion. The burst of color adds a mesmerizing glow around the flames and reflects off the crushed glass floor to create a dramatic presentation of fire unlike anything you've ever seen. Looking for a more subtle organic look? DaVinci Custom Fireplaces now offers Black Crushed Glass or Rock Ember options.

# Upgrade Options

## Choice of Liners (Required)

These contemporary liners provide a dramatic backdrop to the dancing flames of your DaVinci.



Black Paint Finish



Silver Paint Finish



Black Porcelain Finish



**NEW** Black Glass

## Choice of Optional Trim

Accent your DaVinci with the 2" Black Trim or the hand-hammered IronWorks™ Trim.

The IronWorks™ Trim is both a showcase of craftsmanship and a true work of art individually made by our talented in-house blacksmiths. Each IronWorks™ Trim features hand-hammered, textured surfaces and intricate detailing.

The IronWorks™ Trim is available in your choice of hand-rubbed Bronze Patina or Burnished Patina. These finishes are hand-applied by skilled artisans and are absorbed deep into the metal, giving a rich luster and imparting a unique look with no two finishes exactly alike.



Bronze Ironworks®



Patina Ironworks®



2" Wide Black Painted

## Heat Exchanger Kit

While DaVinci Custom Fireplaces are primarily designed as a non-heating appliance, there are occasions where heat is desired.

DaVinci Custom Fireplaces makes a heat exchanger add-on option that allows you to vent heat in the room where the fireplace is located, or into a nearby location within the building.

The heat exchanger is not currently available for Bay and Island fireplaces.



## Exterior Window Kit

The DaVinci Single-Sided and See-Thru models are now approved for Indoor/Outdoor Installation. This installation requires the NEW Exterior Window Kit. The Exterior Window Kit can accommodate fireplaces up to 10 feet in length and can be used with 12, 20, 30, 36 and 58 inch tall glass.





**Fyre Art™**

### Choice of Optional Fyre-Art™

Transform the overall look of your DaVinci with one of these transitional Fyre-Art™ options. We craft our Fyre-Art™ based on pieces of driftwood and time worn stones to offer the most detailed and realistic media available.



Traditional Log Set



Driftwood Log Set



Birch Logs - 20" Glass Models Only



Twig & Stone Kit



Bamboo Logs - 20" Glass Models Only



Tumbled Stone Kit

# Seven Models

Single-Sided



Left Corner



Right Corner



Bay Window



Pier



Island



See-Thru



DaVinci Custom Fireplaces™ are available in seven different models, allowing you to create a fireplace with a design configuration that will architecturally complement any space.

- Single-Sided & See-Thru models:  
Lengths range from 3 feet to 20 feet.
- Right Corner, Left Corner & Pier Models:  
Lengths range from 3.5 feet to 20.5 feet.
- Bay Window & Island Models:  
Lengths range from 4 feet to 21 feet.



# ix Glass Heights

All seven DaVinci models feature the choice of six different glass heights, which range from a sleek 12 inches tall up to a massive 58 inches tall.



12" Glass Height



20" Glass Height



30" Glass Height



36" Glass Height



48" Glass Height



58" Glass Height

# ostless Design

All Right Corner, Left Corner and Bay Window DaVinci's now come standard as postless models. The design work of these particular models can safely support themselves without the need for posts within the glass, allowing for a sleek, unobstructed fire view.

Pier models up to 10 feet in length feature the postless design as an option. On postless Pier models, the facing material must be supported from above to prevent altering the fireplace's alignment.

3' Models = Supports 117 lbs.

4' Models = Supports 147 lbs.

5' Models = Supports 181 lbs.

If using Category 2 Pier, double the listed weight.

Example 8' model = Supports 294 lbs.

Pier models ordered as postless come with a 16" section of Unistrut® attached to the top of the pier end of the fireplace. All other Unistrut® components must be supplied by the installer.

Single Sided, See-Thru and Island DaVinci models all require posts within the viewing area as a necessary support structure and safety measure. We manufacture these support posts within the units to color coordinate with the liner of your choice, allowing for a seamless design that complements any style.



*10 foot Pier fireplace with 20" tall glass .*





# eatures

- Manufactured in Mukilteo, WA by Travis Industries, North America's premier manufacturer of hearth products.
- Winner of the prestigious Hearth Industry VESTA Award for Best New Gas Fireplace in North America for 2014.
- Manufacturing is extremely efficient, cutting lead times down to 4-6 weeks, which is half of the custom fireplace industry standard!
- 14,500 BTUs per foot input.
- More than 500 individual custom fireplace designs to choose from 12", 20", 30", 36" and 58" glass heights.



- 7 Fireplace Designs:

- Single-Sided Fireplaces
- Right Corner Fireplaces
- Left Corner Fireplaces
- See-Thru Fireplaces
- Bay Window Fireplaces
- Pier Fireplaces
- Island Fireplaces

- Award winning TouchSmart™ wall control system, simple to use and elegant in design.



- Platinum reflective crushed glass floor with multi-colored LED lighting or NEW Black Glass or
- Ember Rock media options (see page 10).
- DaVinci Custom Fireplaces are the finest engineered fireplaces, and feature
- heavy gauge steel construction and the
- highest quality materials available.
- Innovative modular design makes DaVinci the easiest custom fireplace to deliver and install at the jobsite.
- Approved for covered outdoor installation. See-Thru models can be built into an exterior wall using our Exterior Window Kit
- Zero clearance to combustible surfaces.
- Overhead Accent Lights
- Quiet power vent exhaust system accommodates vent runs up to 150 feet long. The exhaust vent can terminate above, to the sides or below the fireplace.
- Choice of vertical or inline horizontal
- power vent fans.
- Non-heater decorative fireplace rated. Safety tested and listed prior to delivery
- Listed to: ANSI Z21.50b-2014 and CSA 2.22b-2014
- Optional heat exchanger available for applications requiring room heat.
- U. S. and Foreign Patents Pending.





*144" (12 foot ) See-Thru fireplace with 20" tall glass .  
Enjoy the beauty of the fire without the heat or add the optional heat exchanger if heat is desired.*



## Single-Sided

The sleek simplicity of this fireplace lends itself to a wide range of applications and has the ability to complement any residential or commercial space with its clean, dynamic view, and a fire that will not overheat your dinner guests. Available in one foot lengths from 3 feet to 20 feet. Choose 12", 20", 30", 36", and 58" tall glass.



*This restaurant setting features a 168 inch (14 Ft) Single-Sided Fireplace with 20" tall glass*



# Right or Left Corner

This eye-catching corner design adds visual depth and dimension to the fireview, while architecturally complementing a variety of applications. The modular design of the DaVinci allows us to custom build Corner Fireplaces in lengths up to 246 inches (20.5 feet) and glass in 12", 20", 30", 36", or 58" heights. **NOW COMES POSTLESS!**



*120 Inch (10 ft) Left Corner fireplace with 12" tall glass*

# Bay Window

This fireplace features a contemporary three-sided glass design that showcases the fire from multiple view points and provides a dramatic focal point to any room. Available in one foot lengths from 4 feet to 21 feet and your choice of 12", 20", 30", 36", or 58" tall glass. **NOW COMES POSTLESS!**



*72 Inch (6 ft) Bay Window fireplace with 12" tall glass*



The unique architectural design of this fireplace serves as a beautiful focal point that can be used to divide a large living space or integrate two smaller spaces. Available in lengths up to 246 inches (20.5 feet) and glass in 12", 20", 30", 36", or 58" heights. AVAILABLE WITH OR WITHOUT POST (Postless is optional)



*54 Inch (4.5 ft) Pier fireplace with 20" tall glass*



## ee-Thru

The See-Thru can serve as a stylish viewing window between two rooms, or provide a breathtaking display of fire to the center of large rooms and outdoor living spaces. Available in one foot lengths from 3 feet to 20 feet. Choose 12", 20", 30", 36", or 56" tall glass.



*Indoor/Outdoor 60 Inch (5 ft) See-Thru fireplace with 36" tall glass*



**Island**

The Island makes a stunning focal point for the center of any living space, as it features a 360 degree wrap-around fire view that can be enjoyed from any angle in the room. Available in one foot lengths from 4 feet to 21 feet and choice of 12", 20", 30", 36", or 58" tall glass.



*72 Inch (6 ft) Island fireplace with 20" tall glass*

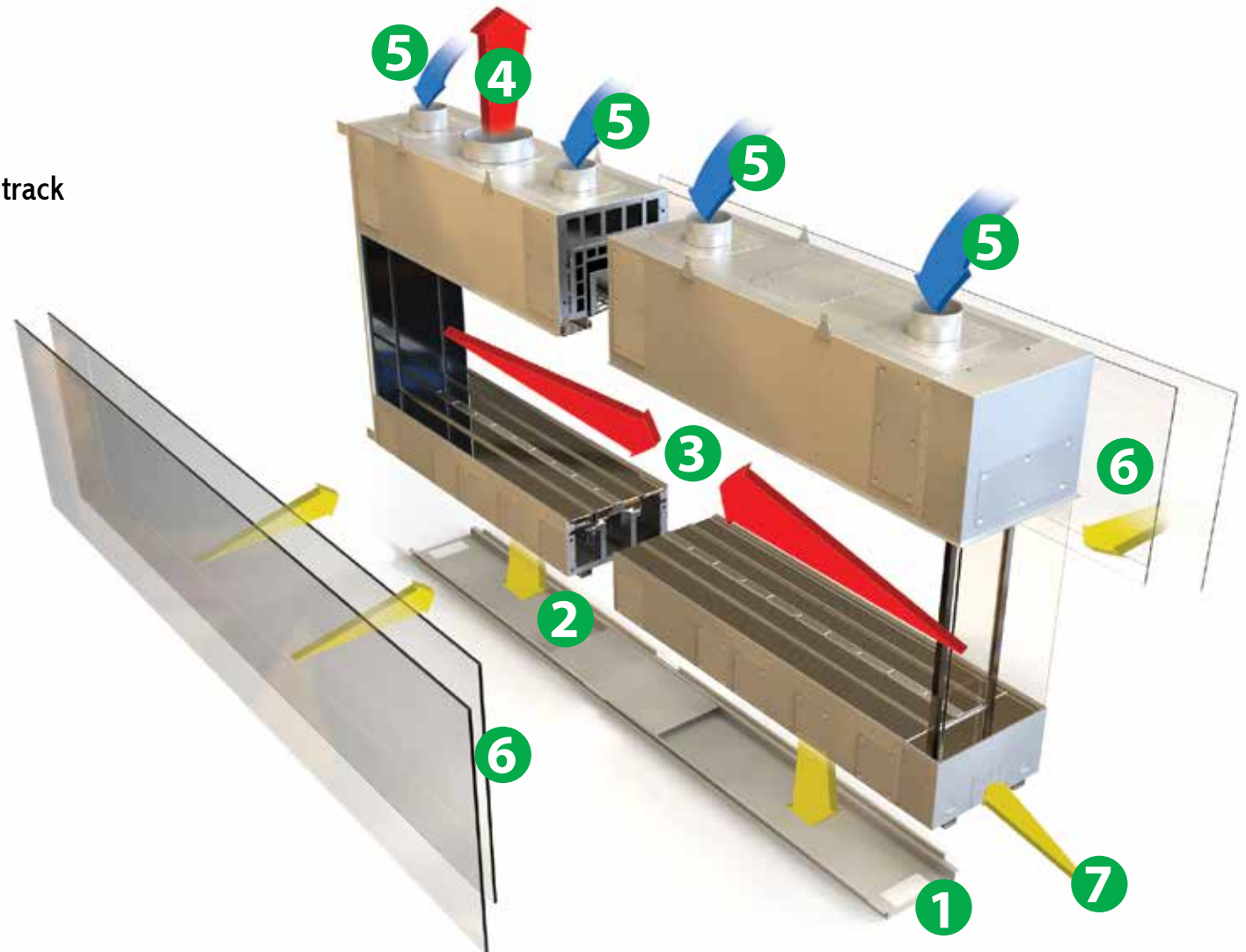
# onstruction -Modular Construction

## The World's First Modular Fireplace

DaVinci Custom Fireplaces up to 21 feet long can be easily and efficiently transported and installed on the job site.

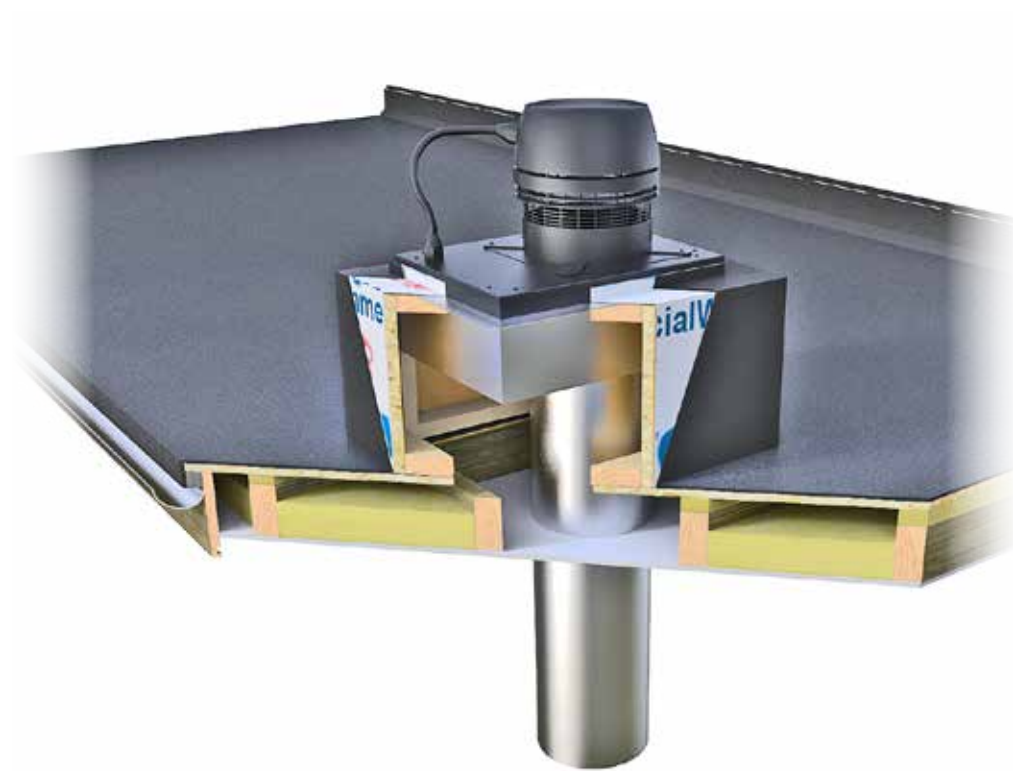
DaVinci features the revolutionary, patent pending Titan Lock System™ that allows these fireplaces to be bolted together without any additional framing, wall support or machinery. No special building entries are required for these fireplaces, as they fit through normal doorways, stairwells and elevators.

1. The Leveling Track can be delivered, set and leveled ahead of time.
2. The fireplace segments are set into the track and simply slide together.
3. These segments are then bolted together with the Titan Lock™ System
4. B-Vent chimney connects to the Power Vent Exhaust system
5. Combustion Air Intakes
6. Glass panels
7. 110 electrical and gas line connection

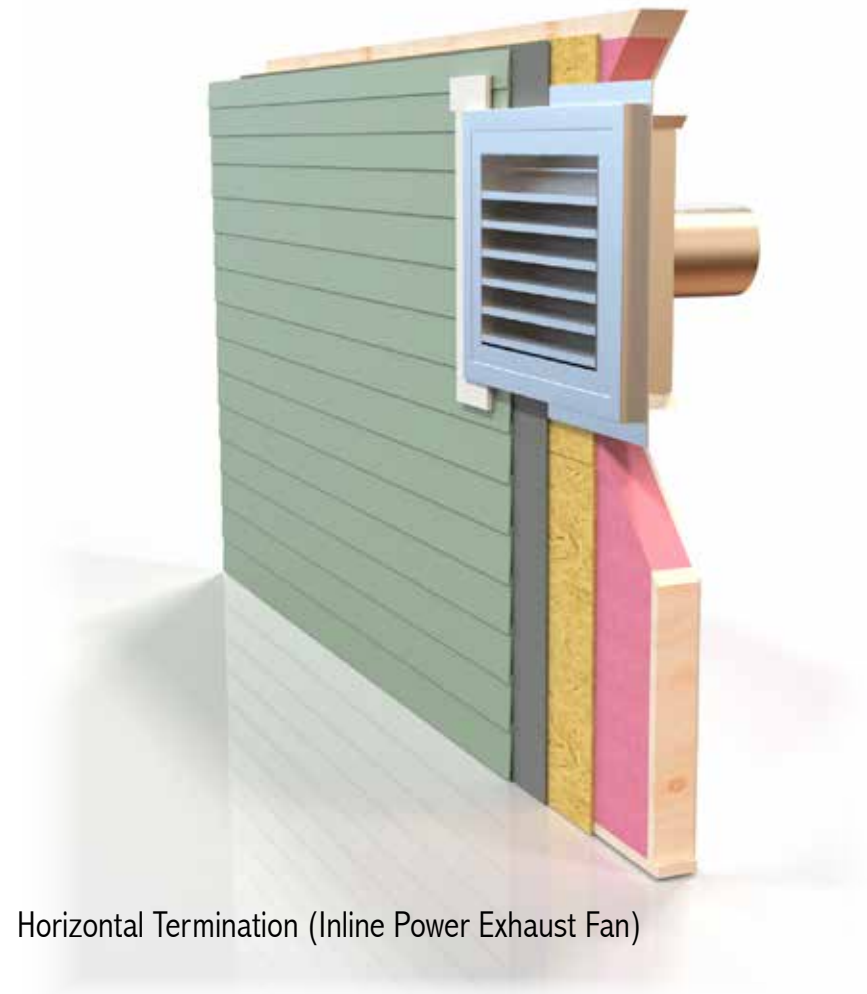


# venting

All DaVinci Custom Fireplaces are power vented. A quiet power vent exhaust system pulls combustion air into and around the fireplace while at the same time exhausting combustion gases through the exhaust vent and out of the building. This system solves all venting challenges and accommodates vent runs up to 150 feet long or 3 feet below the unit, allowing you to install a DaVinci anywhere your imagination pictures it.



Vertical (Roof Top) Power Exhaust Vent Fan Termination  
*Check with your local building codes for snow pack height requirements.*



Horizontal Termination (Inline Power Exhaust Fan)



## Custom “L” Fireplaces By DaVinci - No Limitation!



The “L” is a larger than life new fireplace by DaVinci. As the name “L” suggests, this fireplace features a 90 degree turn of dancing flames extending in opposite directions, creating a stunning and architecturally unique presentation of fire.

With The “L” you have the ability to feature a fireplace with single or multiple 90 degree right and left corners of fire that can be configured as a Single-Sided, See-Thru, Bay Window, Island, Pier or Corner fireplace with any length sides you desire and glass heights ranging from 12 – 58 inches tall.

DaVinci  
Custom Fireplaces™

See our complete line of fireplaces  
Visit us online: [davincifireplace.com](http://davincifireplace.com)

We reserve the right to change and improve our product at any time without prior notification. Please refer to the Owner's Installation Manual for complete installation requirements.  
Photos and illustrations are for descriptive purposes only. Copyright T. I. 03/2017

**ARCAT**

ARCAT.com is the most used  
FREE building product  
information website. All of  
DaVinci's spec information  
along with DWG and DFX  
drawings are listed on ARCAT  
and can easily be downloaded.

Search under Travis Industries  
or use this  
QR Code  
on your  
phone  
or tablet.



98800752